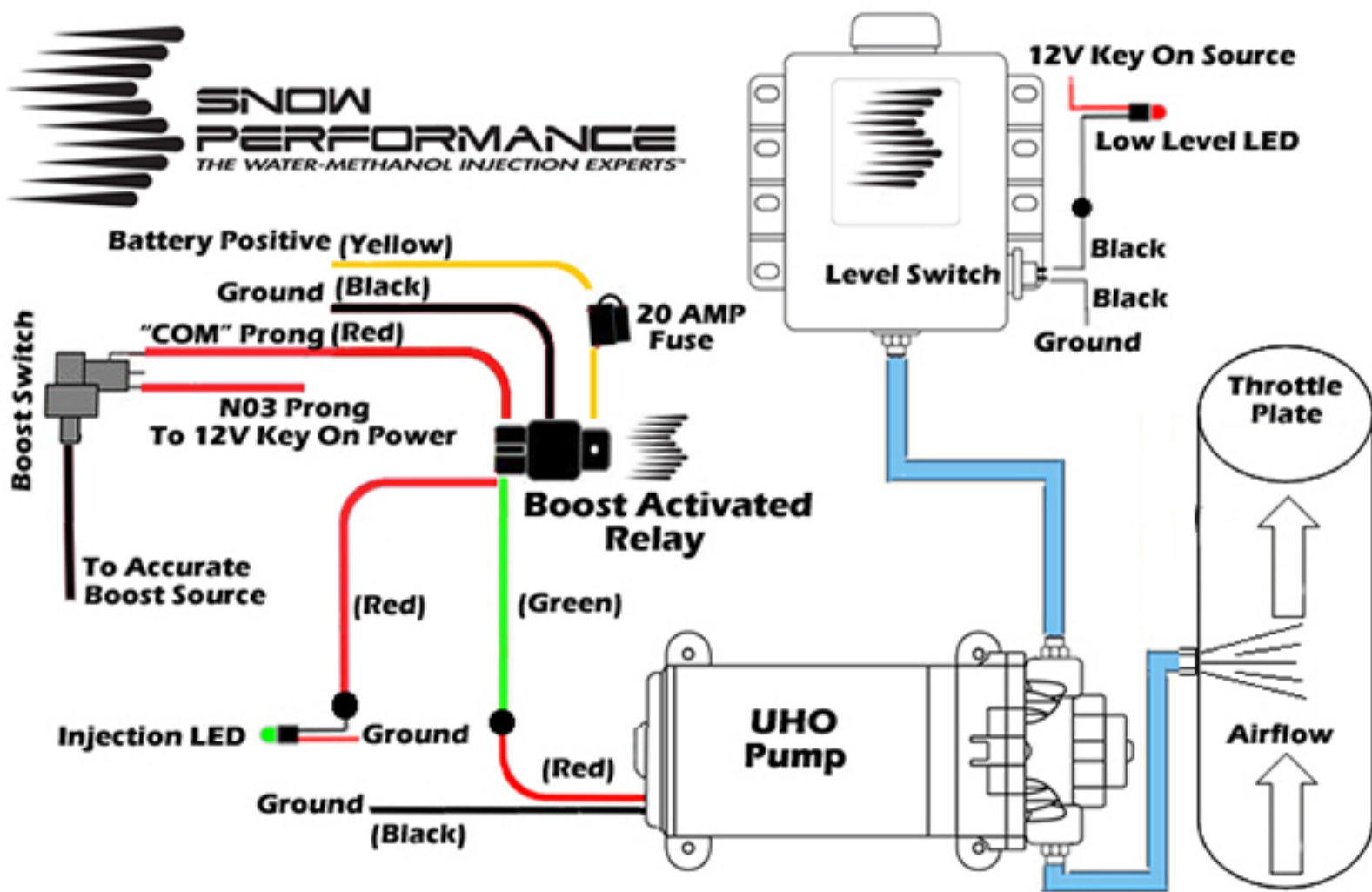




**SNOW
PERFORMANCE**
THE WATER-METHANOL INJECTION EXPERTS™



Stage 1 Boost Cooler® (Part# 201)