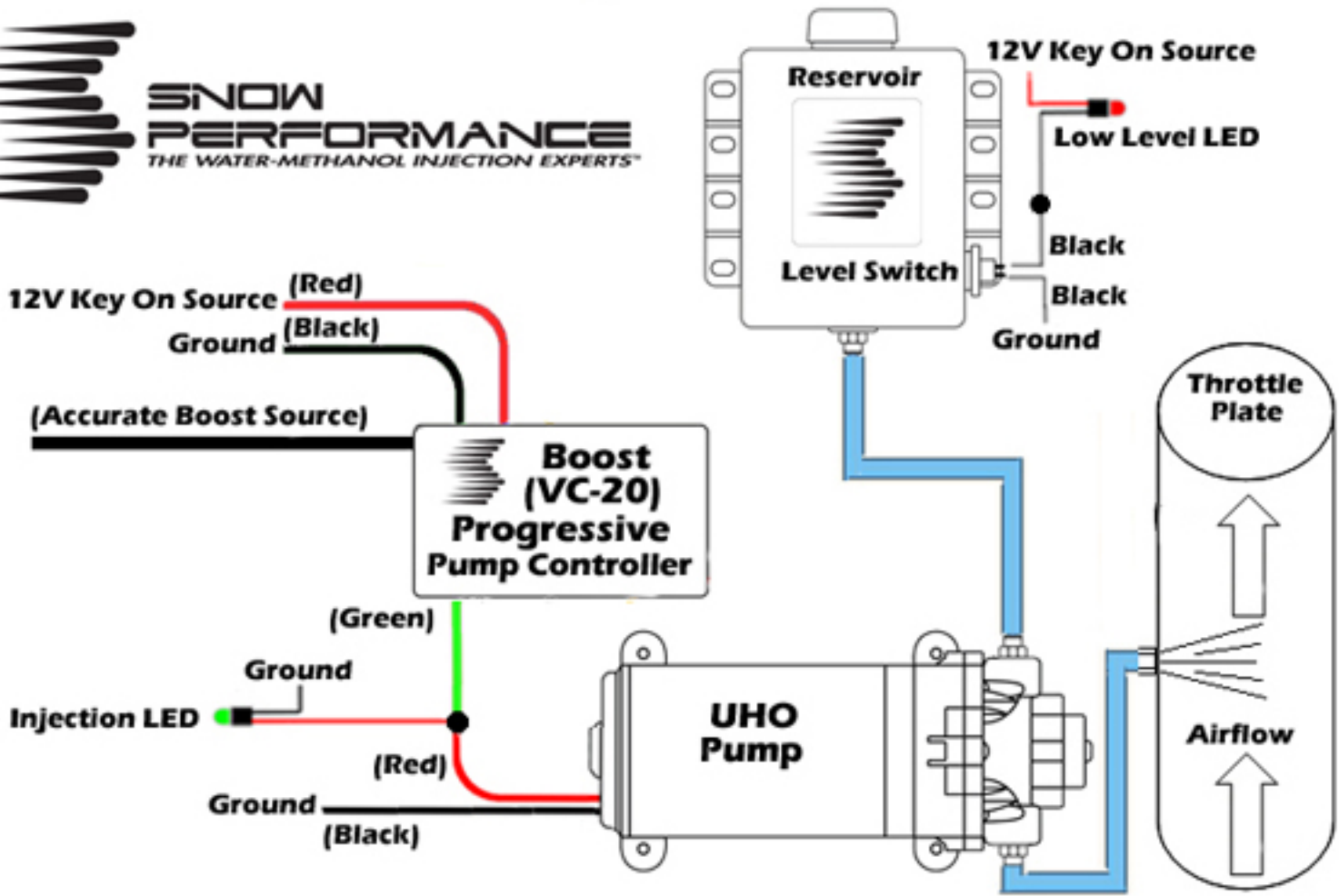




**SNOW  
PERFORMANCE**  
THE WATER-METHANOL INJECTION EXPERTS™



**Stage 2 Boost Cooler® (Part# 20010)**